

1) CONSTRUCTION:		NOM. DIA.
CONDUCTOR:	24 AWG 7/32 STRANDED TINNED COPPER	.024"
INSULATION:	FOAM POLYPROPYLENE, .023" NOM. WALL THICKNESS	.070"
PAIRS:	COLOR CODED SINGLES TWISTED INTO PAIRS	.140"
SHIELD:	EACH PAIR SHALL BE COVERED WITH AN ALUMINIZED POLYESTER FOIL SHIELD (FOIL IN, 100% COVERAGE) AND CONTAIN A 24 AWG TINNED COPPER DRAIN WIRE IN CONTACT WITH THE METALIZED SURFACE. SHIELDS SHALL BE ISOLATED BY AN EDGE FREE TAPE.	.144"
CABLE:	(4) SHIELDED PAIRS TWISTED TOGETHER TO FORM A CABLE CORE.	.338"
JACKET:	POLYVINYLCHLORIDE, CHROME GRAY, .032" NOM. WALL THICKNESS	
	OVERALL CABLE DIAMETER	.402"

2) PHYSICAL PROPERTIES:	
TEMPERATURE RATING, MAX.	60°C
TEMPERATURE RATING, MIN.	-20°C
WT./M', NOM., NET.	49.8 LBS.

3) ELECTRICAL CHARACTERISTICS:	
CAPACITANCE, MUTUAL, NOM.	12.5 PF/FT.
CAPACITANCE, GROUNDED, NOM.	23.2 PF/FT
CHARACTERISTIC IMPEDANCE, NOM.	100 Ω
DIELECTRIC WITHSTANDING, MIN.	1500V RMS
VOLTAGE RATING, MAX.	300V
D.C. RESISTANCE, MAX. PER ASTM B286	26.2 Ω/1000'

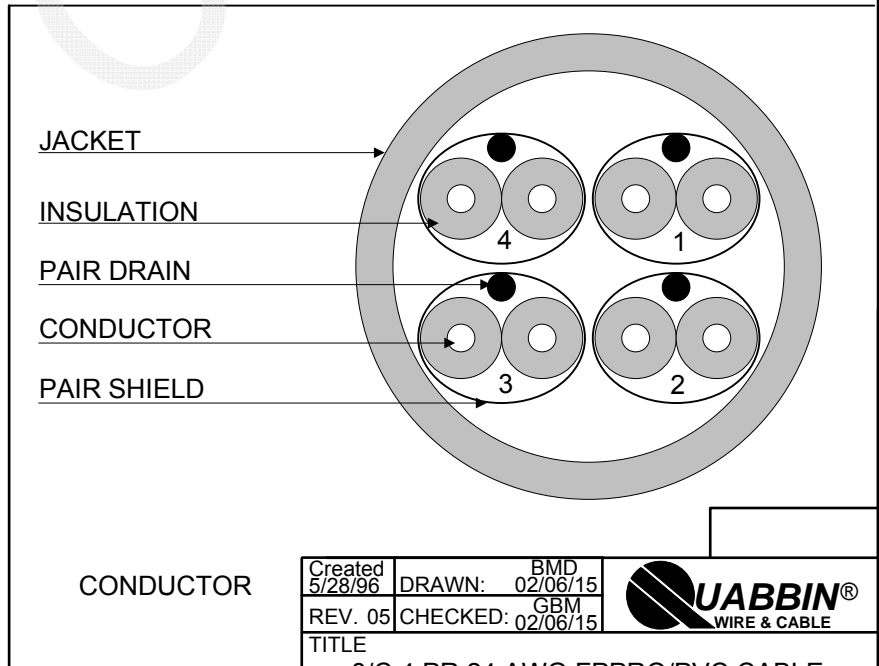
- 4) AGENCY APPROVALS:
 UL AWM STYLE 2448 30V 60C
 NEC (UL) TYPE CM
 CEC C(UL) TYPE CM

5) APPLICATION:
 LOW CAPACITANCE RS-422 COMPUTER INTERCONNECT, EXTENDED DISTANCE CABLE. RoHS COMPLIANT MATERIALS.

6) PRINT:
 QUABBIN 8608 TYPE CM C(UL)US 24 AWG SHIELDED OR AWM 2448 -- LOW VOLTAGE COMPUTER CABLE -- RoHS -- **(LOT DESIGNATOR)**

- 7) COLOR CODE:
 1. BLACK X RED
 2. BLACK X WHITE
 3. BLACK X GREEN
 4. BLACK X BLUE

8) PACKAGING:
 TO BE PACKAGED AS PER QWC'S STANDARD PACKAGING



CONDUCTOR

Created 5/28/96	DRAWN: BMD 02/06/15	
REV. 05	CHECKED: GBM 02/06/15	
TITLE 8/C 4 PR 24 AWG FPPRO/PVC CABLE -- TYPE CM C(UL)US, STYLE 2448		
QUABBIN P/N	8608	1 of 1

CUSTOMER APPROVAL:

DATE: