

1) CONSTRUCTION:		NOM. DIA.
CONDUCTOR:	24 AWG 7/32 STRANDED TINNED COPPER	.024"
INSULATION:	FOAM POLYPROPYLENE .023" NOM. WALL THICKNESS	.070"
PAIRS:	COLOR CODED SINGLES TWISTED INTO PAIRS	.140"
SHIELD:	EACH PAIR SHALL BE COVERED WITH AN ALUMINIZED POLYESTER FOIL SHIELD (FOIL IN, 100% COVERAGE) AND CONTAIN A 24 AWG TINNED COPPER DRAIN WIRE IN CONTACT WITH THE METALIZED SURFACE. SHIELDS SHALL BE ISOLATED BY AN EDGE FREE TAPE.	.144"
CABLE:	(3) TWISTED PAIRS TWISTED TOGETHER TO FORM A CABLE CORE.	.260"
JACKET:	POLYVINYLCHLORIDE, CHROME GRAY, .032" NOM. WALL THICKNESS	.324"
	OVERALL CABLE DIAMETER	(BY PI TAPE)

2) PHYSICAL PROPERTIES:	
TEMPERATURE RATING, MAX.	60°C
TEMPERATURE RATING, MIN.	-20°C
WT./M', NOM., NET.	41.1 LBS.

3) ELECTRICAL CHARACTERISTICS:	
CAPACITANCE, MUTUAL, NOM.	12.5 PF/FT.
CAPACITANCE, GROUNDED, NOM.	23.2 PF/FT
DIELECTRIC WITHSTANDING, MIN.	1500V RMS
VOLTAGE RATING, MAX.	300V
D.C. RESISTANCE, MAX. PER ASTM B286	26.2 Ω/1,000'

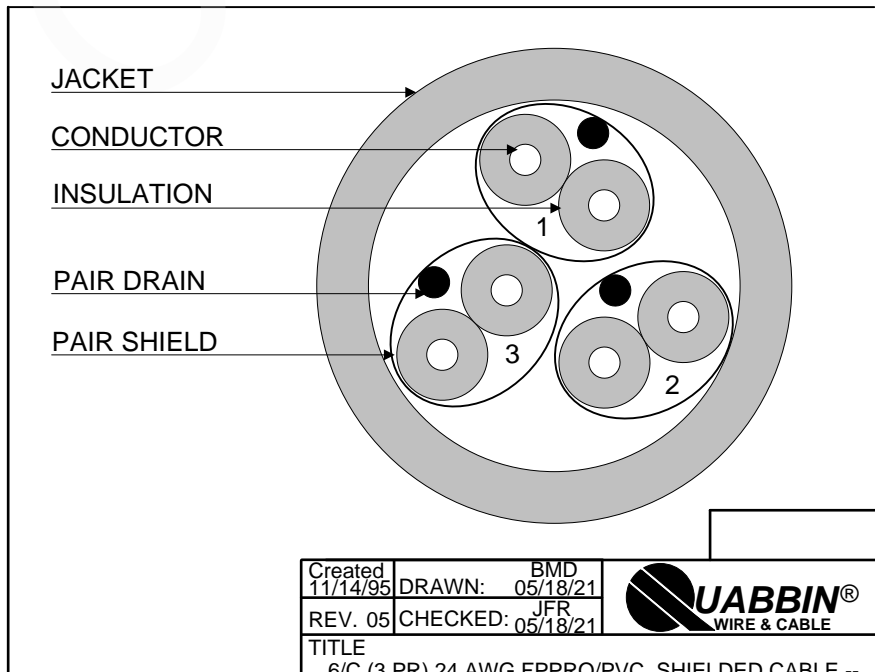
- 4) AGENCY APPROVALS:
- UL AWM STYLE 2448
  - NEC (UL) TYPE CM
  - CEC C(UL) TYPE CM

5) APPLICATION:  
 LOW CAPACITANCE RS-422 COMPUTER INTERCONNECT, EXTENDED DISTANCE CABLE.  
 RoHS COMPLIANT MATERIALS.

6) PRINT:  
 QUABBIN 8606 TYPE CM C(UL)US 24 AWG SHIELDED OR AWM 2448 -- LOW VOLTAGE COMPUTER CABLE -- RoHS --  
**(LOT DESIGNATOR)**

- 7) COLOR CODE:
- 1. BLACK X RED
  - 2. BLACK X WHITE
  - 3. BLACK X GREEN

8) PACKAGING:  
 TO BE PACKAGED AS PER QWC'S  
 STANDARD PACKAGING



CUSTOMER APPROVAL: \_\_\_\_\_ DATE: \_\_\_\_\_

Created 11/14/95	DRAWN: BMD 05/18/21	
REV. 05	CHECKED: JFR 05/18/21	
TITLE 6/C (3 PR) 24 AWG FPPRO/PVC SHIELDED CABLE -- TYPE CM C(UL)US, STYLE 2448		
QUABBIN P/N	8606	1 of 1