

1) CONSTRUCTION:		NOM. DIA.
CONDUCTOR:	24 AWG SOLID BARE COPPER	.0215"
INSULATION:	HIGH DENSITY POLYETHYLENE, .008" NOM. WALL THICKNESS	.0383"
PAIRS:	COLOR CODED SINGLES TWISTED INTO PAIRS	.077"
CABLE:	(2) TWISTED PAIRS TWISTED TOGETHER WITH FILLER AND WRAPPED WITH A CLEAR POLYESTER TAPE TO FORM A CABLE CORE	.151"
JACKET:	THERMOPLASTIC ELASTOMER, TEAL, .042" NOM. WALL THICKNESS (PRESSURE)	.235" (± .010")
	OVERALL CABLE DIAMETER	

2) PHYSICAL PROPERTIES:	
TEMPERATURE RATING, MAX.	75°C OR 80°C (JACKET 105°C, 60°C OIL)
TEMPERATURE RATING, MIN.	-40°C
WT./M', NOM., NET.	24.0 LBS.
UV RESISTANT JACKET	PER UL 2556
BEND RADIUS	1.8" STATIC BEND
JACKET IS SUNLIGHT RESISTANT	
JACKET IS WELD SPATTER RESISTANT	
JACKET IS CUTTING/MACHINING OIL RESISTANT (PER QUABBIN TEST REPORT #TR 08-0001)	
(6 MONTHS @ 20°C)	
TENSILE STRENGTH RETENTION, NOM.	80%
ELONGATION RETENTION, NOM.	100%

3) ELECTRICAL CHARACTERISTICS:  
SEE PAGE 2

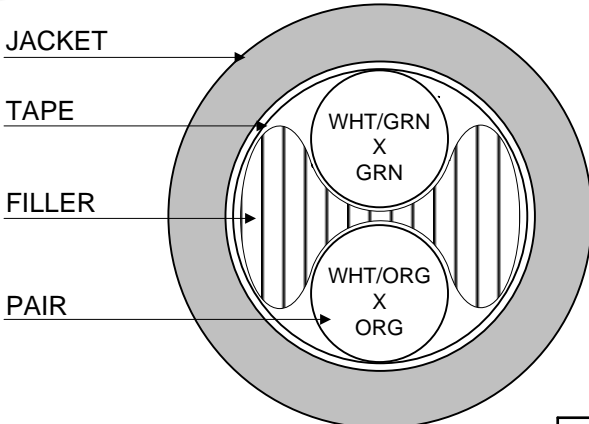
4) AGENCY APPROVALS:  
UL AWM 2463 (80C 600V)  
NEC (UL) TYPE CM  
CEC C(UL) TYPE CM  
EU CE MARK: MEETS EU DIRECTIVE 2011/65/EU (RoHS II)


5) APPLICATION:  
HORIZONTAL CABLE FOR INDUSTRIAL ETHERNET CAT 5e APPLICATIONS.

6) PRINT:  
QUABBIN DATAMAX EXTREME DURABLE INDUSTRIAL ETHERNET/IP COMPLIANT CAT 5e UTP HORIZONTAL P/N 5774 -- C(UL)US TYPE CM 2PR 24 AWG 75C SUN RES OR AWM 2463 80C 600V -- CE RoHS -- **(LOT DESIGNATOR) (SEQUENTIAL FOOTAGE)**

7) COLOR CODE:  
1. WHITE/GREEN X GREEN  
2. WHITE/ORANGE X ORANGE

8) PUT UPS;  
TO BE PACKAGED AS PER QWC'S STANDARD PACKAGING



Created 6/15/12	DRAWN: SGH 05/21/19	
REV. 03	CHECKED: ZRS 05/22/19	
TITLE DATAMAX EXTREME DURABLE I.E./IP CABLE -- 2 PR 24 AWG -- HORIZONTAL -- TYPE CM, STYLE 2463		
QUABBIN P/N	5774	1 of 2

CUSTOMER APPROVAL:

DATE:


## 3) ELECTRICAL CHARACTERISTICS:

POE COMPLIANT TO 85 METERS WHEN INSTALLED PER RECOMMENDATIONS IN TIA TSB-184	
CAPACITANCE, MUTUAL, NOM.	13.5 PF/FT. AT 1 MHz
CAPACITANCE, PAIR TO GROUND, UNBALANCE, MAX.	330 PF/100m AT 1 MHz
DIELECTRIC WITHSTANDING, MIN.	2000V RMS
VOLTAGE RATING, MAX.	600V
D.C. RESISTANCE, MAX.	26.2 $\Omega$ /1,000' (8.59 $\Omega$ /100m)
D.C. RESISTANCE, UNBALANCE, MAX.	5%

**NOTE:** ALL TESTING IS CONDUCTED OFF THE REEL. (FOR 100m OF CABLE)

IMPEDANCE	100 $\pm$ 15 $\Omega$ 1 - 100 MHz	
RETURN LOSS	1 $\leq f <$ 10 MHz	20 + 5 LOG( $f$ ) dB MIN
	10 $\leq f <$ 20 MHz	25 dB MIN
	20 $\leq f \leq$ 100 MHz	25 - 7 LOG( $f$ /20) dB MIN
NEXT	1 $\leq f \leq$ 100 MHz	35.3 - 15 LOG ( $f$ /100) dB MIN
ACRF	1 $\leq f \leq$ 100 MHz	23.8 - 20 LOG( $f$ /100) dB MIN
INSERTION LOSS	1 $\leq f \leq$ 100 MHz	1.967 $\sqrt{f}$ + 0.023( $f$ ) + 0.050/ $\sqrt{f}$ dB MAX
DELAY	1 $\leq f \leq$ 100 MHz	534 + 36/ $\sqrt{f}$ ns MAX
DELAY SKEW	1 $\leq f \leq$ 100 MHz	<25 ns
TCL*	1 $\leq f <$ 30 MHz	$\geq$ 73 - 15 LOG( $f$ ) dB; 40 dB MAX
	30 $\leq f \leq$ 100 MHz	$\geq$ 80.4 - 20 LOG( $f$ ) dB
ELTCTL*	1 $\leq f \leq$ 30 MHz	$\geq$ 50 - 20 LOG( $f$ ) dB; 40 dB MAX

\*PER ODVA ETHERNET/IP SPECIFICATION FOR E<sub>3</sub>

Created 6/15/12	DRAWN: SGH 05/21/19	
REV. 03	CHECKED: ZRS 05/22/19	
TITLE DATAMAX EXTREME DURABLE I.E./IP CABLE -- 2 PR 24 AWG -- HORIZONTAL -- TYPE CM, STYLE 2463		
QUABBIN P/N		5774
		2 of 2

CUSTOMER APPROVAL:

DATE: