

1) CONSTRUCTION:

CONDUCTOR:	26 AWG 7/34 STRANDED TINNED COPPER	NOM. DIA.	.0189"
INSULATION:	FOAMED FEP, .010" NOM. WALL THICKNESS		.039"
PAIRS:	COLOR CODED SINGLES TWISTED INTO PAIRS		.078"
CABLE:	(4) TWISTED PAIRS TWISTED TOGETHER TO FORM A CABLE CORE		
SHIELD:	AN ALUMINUM POLYESTER ALUMINUM FOIL SHIELD (100% COVERAGE) WITH 7 ENDS OF 34 AWG TINNED COPPER DRAIN WIRE IN CONTACT WITH THE METALIZED SURFACE SHALL BE APPLIED OVER THE CABLE CORE.		.181"
JACKET:	LOW SMOKE POLYVINYLCHLORIDE, (COLOR, PER CHART 1), .021" NOM. WALL THICKNESS	OVERALL CABLE DIAMETER	.223" NOM. (BY CALIPER)

2) PHYSICAL PROPERTIES:

TEMPERATURE RATING, MAX.	105°C
TEMPERATURE RATING, MIN.	-20°C
WT./M', NOM., NET.	22.2 LBS.

CHART 1:

QUABBIN P/N	JACKET COLOR
2067	BLACK
2068	BROWN
2069	RED
2070	ORANGE
2071	YELLOW
2072	GREEN
2073	BLUE
2074	VIOLET
2075	GRAY
2076	WHITE
2077	STARLIGHT BEIGE

3) ELECTRICAL CHARACTERISTICS:

SEE PAGE 2

4) AGENCY APPROVALS:

NEC (ETL) TYPE CMP
CEC C(ETL) TYPE CMP

5) APPLICATION:

RoHS COMPLIANT MATERIALS. MEETS TIA 568.2-D CAT 6 CHANNEL REQUIREMENTS AT 68 METERS. 8 METERS OF PATCH CABLE WITH A 90 METERS PERMANENT LINK (98 METER CHANNEL) OR 10 METERS OF PATCH CABLE WITH AN 87 METER PERMANENT LINK (97 METER CHANNEL). SUPPORTS CAT 6 APPLICATIONS AT THESE LENGTHS, FOR OTHER COMBINATIONS SEE "CHANNEL REQUIREMENTS AND THE LENGTH OF STRANDED CABLE" TECHNICAL BRIEF. PATENT PENDING.

6) PRINT: (WHITE INK ON BLACK JACKET, ALL OTHERS BLACK INK)

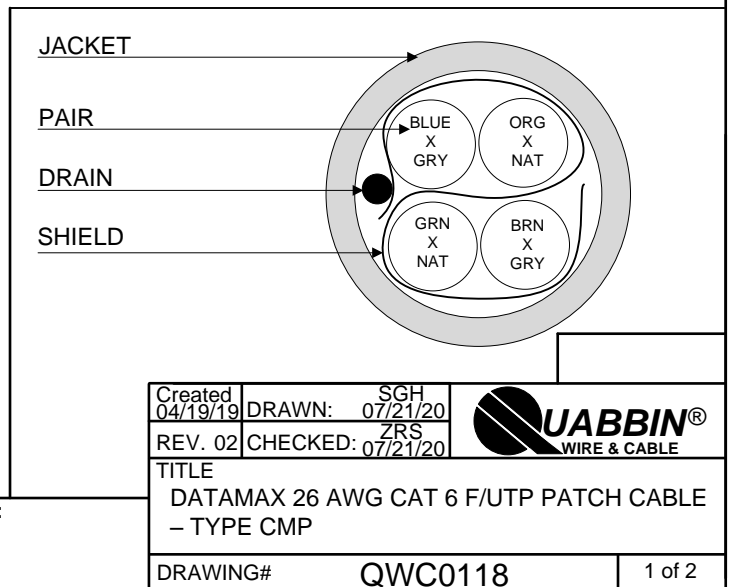
QUABBIN DATAMAX CAT 6 F/UTP PATCH CORD P/N (**QWC P/N PER CHART 1**) -- PATENT PENDING -- C(ETL)US TYPE CMP 26 AWG 105C -- RoHS -- (**LOT DESIGNATOR**) (**SEQUENTIAL FOOTAGE**)

7) COLOR CODE:

1. NATURAL X ORANGE
2. GRAY X BROWN
3. NATURAL X GREEN
4. GRAY X BLUE

8) PUT UPS

TO BE PACKAGED AS PER QWC'S STANDARD PACKAGING



CUSTOMER APPROVAL:


DATE:

3) ELECTRICAL CHARACTERISTICS:

CAPACITANCE, MUTUAL	13.5 PF/FT. AT 1 MHz
DIELECTRIC WITHSTANDING, MIN.	1500V RMS
VOLTAGE RATING, MAX.	300V
D.C. RESISTANCE, MAX.	14.0 Ω (42.6 Ω/1,000' NOM.)

NOTE: TESTING FOR THE FOLLOWING IS CONDUCTED OFF THE REEL. (FOR 100m of CABLE)

IMPEDANCE, NOM.	100 ± 15 Ω 1 - 250 MHz
IMPEDANCE, SMOOTHED	100 ± 10 Ω TYPICAL 5 - 250 MHz
RETURN LOSS	$1 \leq f \leq 10 \text{ MHz}$ 20 + 5 LOG(f) dB MIN $10 \leq f < 20 \text{ MHz}$ 25 dB MIN $20 \leq f \leq 250 \text{ MHz}$ 25 - 8.6 LOG($f/20$) dB MIN
PS NEXT	$1 \leq f \leq 250 \text{ MHz}$ 42.3 - 15 LOG ($f/100$) dB MIN
NEXT	$1 \leq f \leq 250 \text{ MHz}$ 44.3 - 15 LOG ($f/100$) dB MIN
PS ACRF	$1 \leq f \leq 250 \text{ MHz}$ 24.8 - 20 LOG($f/100$) dB MIN
ACRF	$1 \leq f \leq 250 \text{ MHz}$ 27.8 - 20 LOG($f/100$) dB MIN
INSERTION LOSS	$1 \leq f \leq 250 \text{ MHz}$ 1.5[1.808 √(f) + 0.017(f) + 0.20/√(f)] dB MAX
DELAY	$1 \leq f \leq 250 \text{ MHz}$ 534 + 36/√(f) ns MAX
DELAY SKEW	$1 \leq f \leq 250 \text{ MHz}$ <45 ns
TCL	$1 \leq f \leq 250 \text{ MHz}$ 30 - 10 LOG($f/100$), 40 dB MIN
ELTCTL	$1 \leq f \leq 30 \text{ MHz}$ 35 - 20 LOG(f) dB MIN
VELOCITY OF PROPAGATION	68%

Created 04/19/19	DRAWN: SGH 07/21/20	
REV. 02	CHECKED: ZRS 07/21/20	
TITLE DATAMAX 26 AWG CAT 6 F/UTP PATCH CABLE - TYPE CMP		
DRAWING#		QW/C0118
		2 of 2

CUSTOMER APPROVAL:

DATE: