

1) CONSTRUCTION: NOM. DIA.
 CONDUCTOR: 14 AWG 41/30 STRANDED TINNED COPPER .070"
 INSULATION: POLYVINYLCHLORIDE, .016" NOM. WALL THICKNESS .102"
 CABLE: (2) COLOR CODED SINGLES TWISTED TOGETHER WITH FILLER AND .207"
 WRAPPED WITH A CLEAR POLYESTER BINDER TO FORM A CABLE CORE
 RIPCORD: INCLUDED UNDER JACKET FOR STRIPPING
 JACKET: POLYVINYLCHLORIDE, CHROME GRAY, .032" NOM. WALL THICKNESS.
 OVERALL CABLE DIAMETER .271"
(BY PI TAPE)

2) PHYSICAL PROPERTIES:
 TEMPERATURE RATING, MAX. 105°C
 TEMPERATURE RATING, MIN. -20°C
 WT./M', NOM., NET. 47.5 LBS.
 JACKET IS UV RESISTANT

3) ELECTRICAL CHARACTERISTICS:
 CAPACITANCE, MUTUAL, NOM. 31 PF/FT.
 DIELECTRIC WITHSTANDING, MIN. 1500V RMS
 VOLTAGE RATING, MAX. 600V
 D.C. RESISTANCE, MAX. PER ASTM B286 2.94 Ω/1,000'

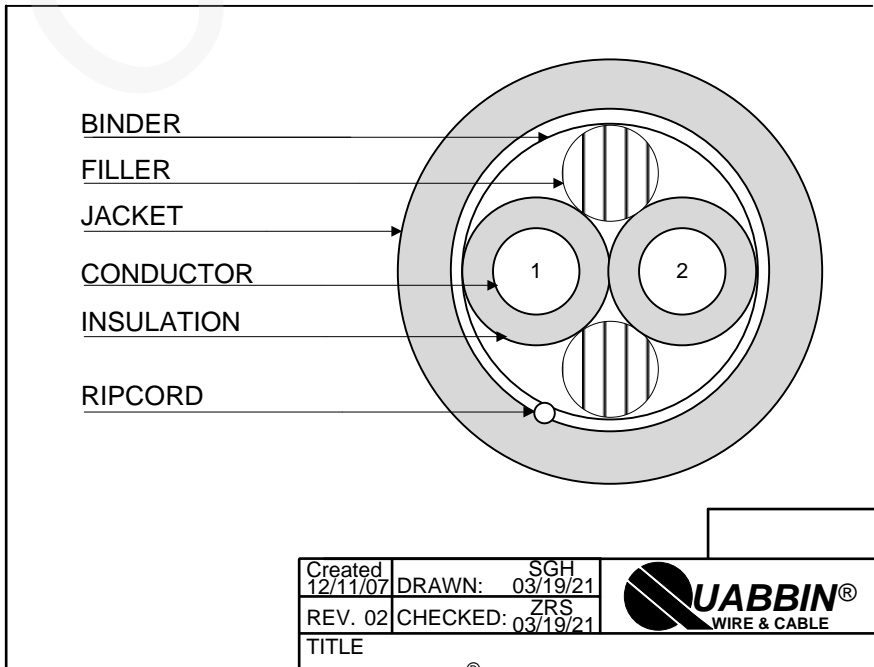
4) AGENCY APPROVALS:
 UL AWM STYLE 2586 105C 600V
 CSA AWM FT4
 MEETS (UL) VW-1 FLAME TEST

5) APPLICATION:
 INDUSTRIAL CONTROLS, MEDICAL ELECTRONICS AND OTHER APPLICATIONS WHERE A COMPACT
 600V RATED CABLE IS REQUIRED. RoHS COMPLIANT MATERIALS.

6) PRINT:
 600V-TROL® E69976 **UL** AWM 2586 VW-1 -- CSA LL51726 AWM I/II A/B 105C 600V FT4 -- RoHS -- **(LOT
 DESIGNATOR)**

7) COLOR CODE:
 1. BLACK
 2. BROWN

8) PACKAGING
 TO BE PACKAGED AS PER QWC'S
 STANDARD PACKAGING



CUSTOMER APPROVAL:

DATE:

Created 12/11/07	DRAWN: SGH 03/19/21	
REV. 02	CHECKED: ZRS 03/19/21	
TITLE 600V-TROL® -- 2/C 14 AWG -- AWM 2586 VW-1, CSA AWM FT4 CABLE		
QUABBIN P/N	0741	1 of 1