

1) CONSTRUCTION:

CONDUCTOR:	22 AWG 7/30 STRANDED TINNED COPPER	NOM. DIA.	.030"
INSULATION:	POLYVINYLCHLORIDE, .016" NOM. WALL THICKNESS		.062"
CABLE:	(4) COLOR CODED SINGLES TWISTED TOGETHER AND WRAPPED WITH A CLEAR POLYESTER BINDER TO FORM A CABLE CORE.		.153"
RIPCORD:	INCLUDED UNDER JACKET FOR STRIPPING		
JACKET:	POLYVINYLCHLORIDE, CHROME GRAY, .032" NOM. WALL THICKNESS.	OVER ALL CABLE DIAMETER	.217"

2) PHYSICAL PROPERTIES:

TEMPERATURE RATING, MAX.	105 DEGREES C
WT./M', NOM., NET.	27.1 LBS.

3) ELECTRICAL CHARACTERISTICS:

CAPACITANCE, MUTUAL, NOM.	17 PF/FT.
DIELECTRIC WITHSTANDING, MIN VOLTAGE RATING, MAX.	2000V RMS 600V
D.C. RESISTANCE, MAX. PER ASTM B286	16.7 OHMS


4) AGENCY APPROVALS:

- CSA AWM FT4
- UL AWM STYLE 2586 105C 600V

5) APPLICATION:

INDUSTRIAL CONTROLS, MEDICAL ELECTRONICS AND OTHER APPLICATIONS WHERE A COMPACT 600V RATED CABLE IS REQUIRED.

6) PRINT:

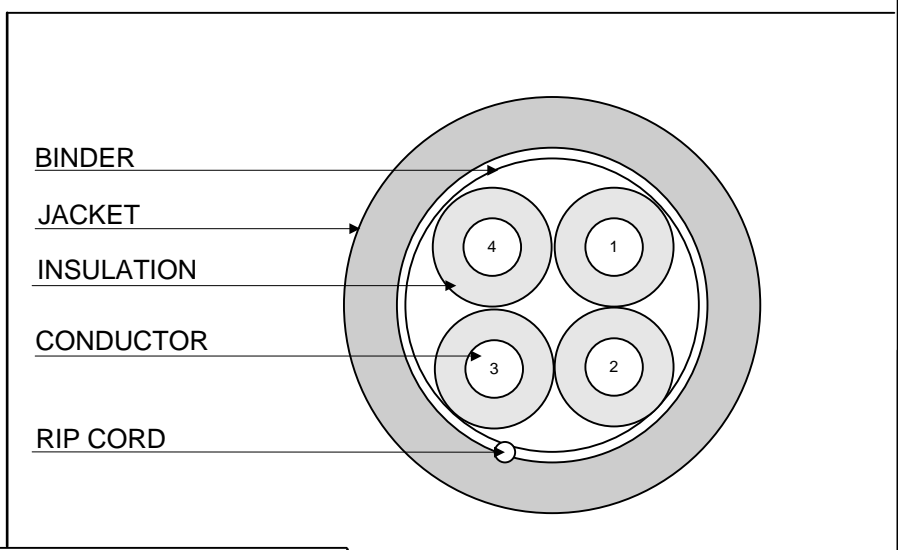
E69976  AWM 2586 VW-1 -- CSA LL51726 AWM I/II A/B 105C 600V FT4 -- **(LOT DESIGNATOR)**


7) COLOR CODE:

1. BLACK
2. BROWN
3. RED
4. ORANGE

8) PACKAGING

TO BE PACKAGED AS PER QWC'S STANDARD PACKAGING



REVISION 01	DATE:	DRAWN B. DUCZYNSKI 2/3/05	
REVISED BY		CHECKED J. RIVERNIDER 2/3/05	
CHECKED		CHECKED	
CHECKED		CUSTOMER APPROVAL: DATE:	TITLE 4/C 22 AWG -- AWM 2586 CSA AWM FT4 CABLE
			QUABBIN P/N 0703 1 OF 1