

1) CONSTRUCTION:

CONDUCTOR:	20 AWG 10/30 STRANDED TINNED COPPER	NOM. DIA.	.037"
INSULATION:	POLYVINYLCHLORIDE, .016" NOM. WALL THICKNESS		.069" ± .001"
CABLE:	(2) COLOR CODED SINGLES TWISTED TOGETHER TO FORM A CABLE CORE.		.138"
SHIELD:	ALUMINIZED POLYESTER FOIL SHIELD (FOIL OUT, 100% COVERAGE) WITH A 22 AWG 7/30 STRANDED TINNED COPPER DRAIN WIRE CONTACTING THE METALIZED SURFACE FOR EASY TERMINATION.		.141"
JACKET:	POLYVINYLCHLORIDE, CHROME GRAY, .038" NOM. WALL THICKNESS	OVERALL CABLE DIAMETER	.215" ± .010"
		(BY CALIPER, ACROSS WIDEST CROSS SECTION)	

2) PHYSICAL PROPERTIES:

TEMPERATURE RATING, MAX.	80°C, 90°C & 105°C
TEMPERATURE RATING, MIN.	-20°C
WT./M', NOM., NET.	24.7 LBS.
JACKET IS SUNLIGHT RESISTANT	

3) ELECTRICAL CHARACTERISTICS:

CAPACITANCE, MUTUAL, NOM.	44 PF/FT.
CAPACITANCE, GROUNDED, NOM.	81.4 PF/FT.
DIELECTRIC WITHSTANDING, MIN.	2000V RMS
VOLTAGE RATING, MAX.	300V
D.C. RESISTANCE, MAX.	11.8 Ω/1,000'

4) AGENCY APPROVALS:

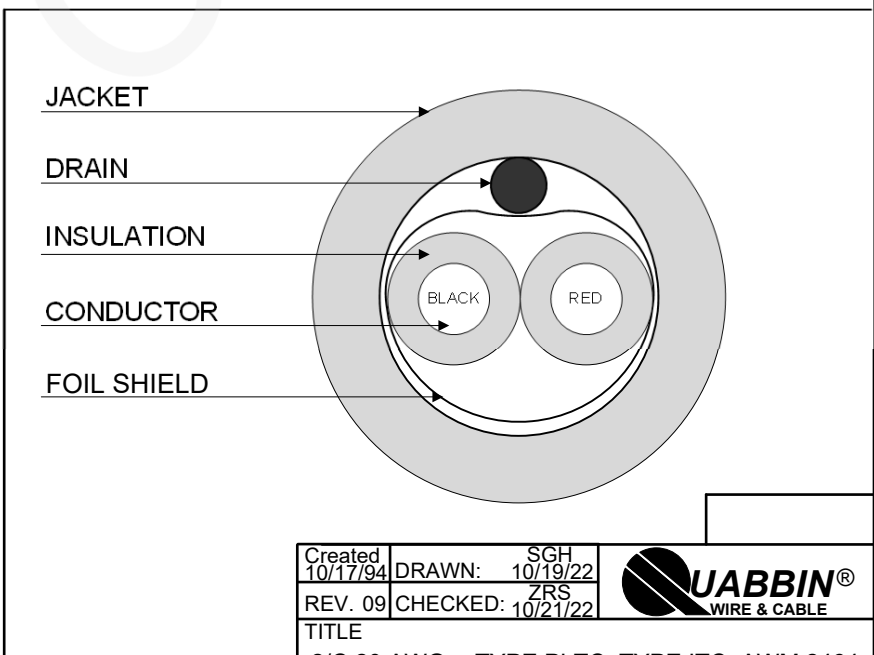
- UL AWM STYLE 2464 80C 300V
- NEC (UL) TYPE PLTC 105C 300V
- NEC (UL) TYPE ITC 105C 300V
- CSA FAS 105 FT4
- CSA AWM FT4 90C 300V

5) APPLICATION:  
 PROCESS SYSTEM INTERCONNECT. POWER LIMITED TRAY CABLE, INSTRUMENTATION TRAY CABLE, CLASS 3 CIRCUITS. RoHS COMPLIANT MATERIALS.

6) PRINT:  
 QUABBIN 0165 (UL) TYPE PLTC OR ITC 20 AWG 105C SUN RES OR AWM 2464 -- CSA LL66965 FAS 105 20 AWG 2 CONDUCTOR FT4 OR AWM I/II A/B 90C 300V FT4 -- RoHS -- **(LOT DESIGNATOR)**

7) COLOR CODE:  
 1. BLACK  
 2. RED

8) PACKAGING  
 TO BE PACKAGED AS PER QWC'S STANDARD PACKAGING



CUSTOMER APPROVAL:

DATE:

Created 10/17/94	DRAWN: SGH 10/19/22	
REV. 09	CHECKED: ZRS 10/21/22	
TITLE 2/C 20 AWG -- TYPE PLTC, TYPE ITC, AWM 2464, CSA FAS, AWM FT4 CABLE -- SHIELDED		
QUABBIN P/N	0165	1 of 1