

1) CONSTRUCTION:		NOM. DIA.
CONDUCTOR:	22 AWG 7/30 STRANDED TINNED COPPER	.030"
INSULATION:	HIGH DENSITY POLYETHYLENE, .018" NOM. WALL THICKNESS	.066+/- .001"
CABLE:	(4) COLOR CODED WIRES CABLED TOGETHER WITH A PVC ROD FILL (.027" +/- .005") AND WRAPPED WITH A FOAM POLYPROPYLENE TAPE TO FORM A CABLE CORE.	.160"
SHIELDS:	AN OVERALL SHIELD OF 38 AWG TINNED COPPER BRAID (80% MINIMUM COVERAGE), SHALL BE APPLIED OVER THE CABLE CORE. A SECOND SHIELD OF AN OVERALL ALUMINIZED POLYESTER FOIL SHIELD (FOIL IN, 100% COVERAGE) SHALL BE APPLIED OVER THE BRAID.	.180"
JACKET:	THERMOPLASTIC ELASTOMER, GREEN (CR# 70), .035" NOM. WALL THICKNESS (PRESSURE)	.250"
	OVERALL CABLE DIAMETER	

2) PHYSICAL PROPERTIES:	
TEMPERATURE RATING, MAX.	75°C & 80°C
TEMPERATURE RATING, MIN. (STATIC)	-40°C
WT./M', NOM., NET.	39.0 LBS.
JACKET IS WELD SPATTER RESISTANT	
JACKET IS SUNLIGHT RESISTANT	
FLEX LIFE (PENDING)	
(126 CYCLES/MIN, @ 20°C)	1 MILLION CYCLE TEST (10X CABLE O.D., MINIMUM RADIUS)
	10 MILLION CYCLE TEST (20X CABLE O.D., MINIMUM RADIUS)
TORSION TEST (PENDING)	
(1 LB LOAD, 360°, 71 CYCLES/MIN, @ 20°C)	3 MILLION CYCLE TEST
JACKET IS CUTTING/MACHINING OIL RESISTANT (PER QUABBIN TEST REPORT #TR 08-0001)	
(6 MONTHS @ 20°C)	
TENSILE STRENGTH RETENTION, NOM.	80%
ELONGATION RETENTION, NOM.	100%

3) ELECTRICAL CHARACTERISTICS:
SEE PAGE 2

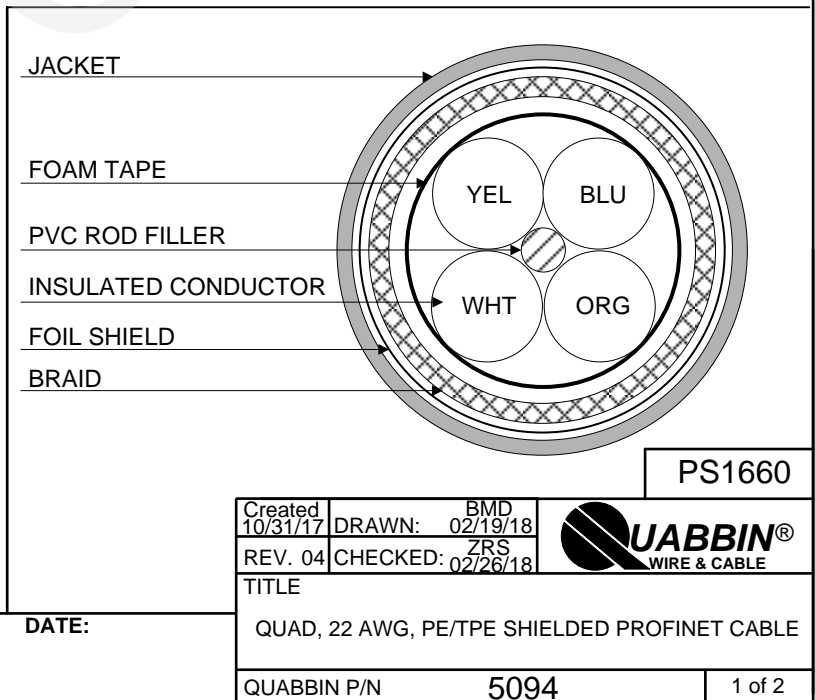
4) AGENCY APPROVALS:
NEC (UL) TYPE PLTC
NEC (UL) TYPE CL3
UL AWM 2463

5) APPLICATION:
PATCH CABLE FOR PROFINET TYPE B AND C AND ETHERNET/IP CAT 5e APPLICATIONS. MEETS EU DIRECTIVE 2011/65/EU (RoHS II).

6) PRINT:
QUABBIN DATAMAX INDUSTRIAL PROFINET TYPE B AND C CAT 5E SHIELDED P/N 5094 -- (UL) TYPE PLTC OR CL3 4C 22 AWG SF/QUAD 75C SUNLIGHT RESISTANT OIL RES I & II OR AWM 2463 80C 600V -- CE RoHS -- **(LOT DESIGNATOR)**
(SEQUENTIAL FOOTAGE)

7) COLOR CODE:
1. WHITE X 2. BLUE
3. YELLOW X 4. ORANGE

8) PACKAGING:
TO BE PACKAGED AS PER QWC'S STANDARD PACKAGING



CUSTOMER APPROVAL:

DATE:

3) ELECTRICAL CHARACTERISTICS:

POE COMPLIANT (802.3af) TO 100 METERS WHEN INSTALLED PER RECOMMENDATIONS IN TIA TSB-184	
CABLE WILL MEET CAT 5e CHANNEL REQUIREMENTS TO 100 METER LENGTH	
MUTUAL CAPACITANCE, MAX.	5.6 nF/100m AT 1 kHz @ 20°C
DIELECTRIC WITHSTANDING, MIN.	2000V RMS
VOLTAGE RATING, MAX.	600V
D.C. RESISTANCE, MAX. (GRP I & GRP II)	17.5 Ω/1000' @ 20°C
D.C. RESISTANCE UNBALANCE, MAX.	5% @ 20°C
COUPLING ATTENUATION	30 ≤ f ≤ 100 MHz ≥ 60 dB MIN
TESTED PER IEC 62153-4-9	

NOTE: TESTING FOR THE FOLLOWING IS CONDUCTED OFF THE REEL. (FOR 100m OF CABLE)

IMPEDANCE, CHARACTERISTIC	1 ≤ f ≤ 100 MHz	100 +/- 15 Ω
CAPACITANCE UNBALANCE, MAX.:		
PAIR-TO-GROUND	330 pF/100m AT 1 kHz @ 20°C	
RETURN LOSS	1 ≤ f < 10 MHz	20 + 5 LOG(f) dB MIN
	10 ≤ f < 20 MHz	25 dB MIN
	20 ≤ f ≤ 100 MHz	25 - 8.6 LOG(f/20) dB MIN
INSERTION LOSS	1 ≤ f ≤ 100 MHz	1.02(1.967 √f + 0.023(f) + 0.050/√f dB) MAX*
NEXT	1 ≤ f ≤ 100 MHz	35.3 - 15 LOG(f/100) dB MIN
ACRF	1 ≤ f ≤ 100 MHz	23.8 - 20 LOG(f/100) dB MIN
PROPAGATION DELAY	1 ≤ f ≤ 100 MHz	534 + 36/√f ns MAX
PROPAGATION DELAY SKEW	1 ≤ f ≤ 100 MHz	≤ 20ns

*2% HIGHER THAN HORIZONTAL CABLE SPECIFICATION PER TIA 568-C.2.

CABLE MEETS THE CHANNEL REQUIREMENT AT 100M AND IS SUITABLE FOR 100M PLUG TO PLUG RUN.

PS1660

Created 10/31/17	DRAWN: BMD 02/19/18
REV. 04	CHECKED: ZRS 02/26/18



TITLE

CUSTOMER APPROVAL:

DATE:

QUAD, 22 AWG, PE/TPE SHIELDED PROFINET CABLE

QUABBIN P/N

5094

2 of 2