

1) CONSTRUCTION:

| | | | |
|-------------|---|------------------------|--------------------------|
| CONDUCTOR: | 28 AWG 7/36 STRANDED TINNED COPPER | NOM. DIA. | .015" |
| INSULATION: | FOAMED FEP, .008" NOM. WALL THICKNESS | | .031" |
| PAIRS: | COLOR CODED SINGLES TWISTED INTO PAIRS | | .062" |
| CABLE: | (4) TWISTED PAIRS TWISTED TOGETHER TO FORM A CABLE CORE | | |
| SHIELD: | AN ALUMINUM POLYESTER ALUMINUM FOIL SHIELD (100% COVERAGE) SHALL BE APPLIED OVER THE CABLE CORE AND SHALL INCLUDE A 28 AWG STRANDED TINNED COPPER DRAIN WIRE IN CONTACT WITH THE OUTER SURFACE. | | .145" |
| JACKET: | POLYVINYLCHLORIDE, (COLOR, PER CHART 1), .021" NOM. WALL THICKNESS | OVERALL CABLE DIAMETER | .186" NOM. .191" MAX. |

2) PHYSICAL PROPERTIES:

| | |
|--------------------------|-----------|
| TEMPERATURE RATING, MAX. | 105°C |
| TEMPERATURE RATING, MIN. | -20°C |
| WT./M', NOM., NET. | 16.5 LBS. |

CHART 1:

| QUABBIN P/N | JACKET COLOR |
|-------------|-----------------|
| 2045 | BLACK |
| 2046 | BROWN |
| 2047 | RED |
| 2048 | ORANGE |
| 2049 | YELLOW |
| 2050 | GREEN |
| 2051 | BLUE |
| 2052 | VIOLET |
| 2053 | GRAY |
| 2054 | WHITE |
| 2055 | STARLIGHT BEIGE |

3) ELECTRICAL CHARACTERISTICS:

SEE PAGE 2

4) AGENCY APPROVALS:

NEC (ETL) TYPE CMP
CEC C(ETL) TYPE CMP

5) APPLICATION:

RoHS COMPLIANT MATERIALS. MEETS TIA 568.2-D CAT 6 CHANNEL REQUIREMENTS AT 54 METERS. 4.7 METERS OF PATCH CABLE WITH A 90 METERS PERMANENT LINK (94.7 METER CHANNEL) OR 10 METERS OF PATCH CABLE WITH AN 79 METER PERMANENT LINK (89 METER CHANNEL). SUPPORTS CAT 6 APPLICATIONS. PATENT PENDING.

6) PRINT: (WHITE INK ON BLACK JACKET, ALL OTHERS BLACK INK)

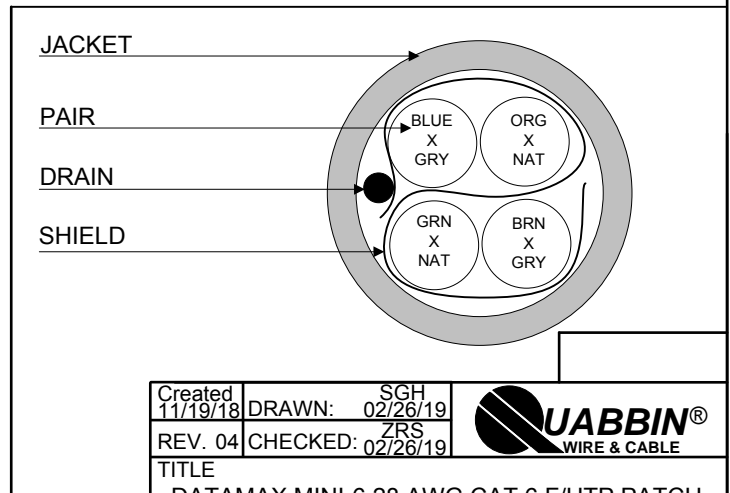
QUABBIN DATAMAX MINI-6 F/UTP PATCH CORD P/N (QWC P/N PER CHART 1) -- PATENT PENDING -- C(ETL)US TYPE CMP 28 AWG 105C -- RoHS -- (LOT DESIGNATOR) (SEQUENTIAL FOOTAGE)

7) COLOR CODE:

1. NATURAL X ORANGE
2. GRAY X BROWN
3. NATURAL X GREEN
4. GRAY X BLUE

8) PUT UPS

TO BE PACKAGED AS PER QWC'S STANDARD PACKAGING



| | | |
|---|--------------------------|--------|
| Created 11/19/18 | DRAWN: SGH 02/26/19 | |
| REV. 04 | CHECKED: ZRS 02/26/19 | |
| TITLE DATAMAX MINI-6 28 AWG CAT 6 F/UTP PATCH CABLE – TYPE CMP | | |
| DRAWING# | QWC0115 | 1 of 2 |


CUSTOMER APPROVAL:

DATE:

3) ELECTRICAL CHARACTERISTICS: (FOR 100m OF CABLE)

| | | |
|-------------------------------|------------------------|---|
| CAPACITANCE, MUTUAL, NOM. | 13.5 PF/FT. AT 1 MHz | |
| DIELECTRIC WITHSTANDING, MIN. | 1500V RMS | |
| VOLTAGE RATING, MAX. | 300V | |
| D.C. RESISTANCE, NOM. | 22.4 Ω (68.2 Ω/1000') | |
| IMPEDANCE | 100 ± 15 Ω 1 - 250 MHz | |
| IMPEDANCE, SMOOTHED | 100 ± 10 Ω TYPICAL | 5 - 250 MHz |
| RETURN LOSS | 1 ≤ f < 2 MHz | 17 + 9.5 LOG (f) dB MIN |
| | 2 ≤ f < 10 MHz | 20 + 5 LOG (f) dB MIN |
| | 10 ≤ f < 20 MHz | 25 dB MIN |
| | 20 ≤ f ≤ 250 MHz | 25 - 8.6 LOG(f/20) dB MIN |
| PS NEXT | 1 ≤ f ≤ 250 MHz | 42.3 - 15 LOG(f/100) dB MIN |
| NEXT | 1 ≤ f ≤ 250 MHz | 44.3 - 15 LOG(f/100) dB MIN |
| PSACRF | 1 ≤ f ≤ 250 MHz | 24.8 - 20 LOG(f/100) dB MIN |
| ACRF | 1 ≤ f ≤ 250 MHz | 27.8 - 20 LOG(f/100) dB MIN |
| INSERTION LOSS | 1 ≤ f ≤ 250 MHz | 1.95 [1.808 √f + 0.017(f) + 0.2/√f] dB MAX |
| DELAY | 1 ≤ f ≤ 250 MHz | 534 + 36/√f ns MAX |
| DELAY SKEW | 1 ≤ f ≤ 250 MHz | <45 ns MAX |
| TCL | 1 ≤ f ≤ 250 MHz | 30 - 10 LOG(f/100) dB MIN |
| ELTCTL | 1 ≤ f ≤ 30 MHz | 35 - 20 LOG(f) dB MIN |
| VELOCITY OF PROPAGATION | 68% | |

NOTE: ALL TESTING IS CONDUCTED OFF THE REEL, USING 50m LENGTHS.

| | | |
|--|--------------------------|---|
| Created 11/19/18 | DRAWN: SGH 02/26/19 |  |
| REV. 04 | CHECKED: ZRS 02/26/19 | |
| TITLE DATAMAX MINI-6 28 AWG CAT 6 F/UTP PATCH CABLE – TYPE CMP | | |
| DRAWING# | | QWC0115 |
| | | 2 of 2 |

CUSTOMER APPROVAL:

DATE: