

1) CONSTRUCTION: NOM. DIA.  
 CONDUCTOR: 20 AWG 7/28 STRANDED TINNED COPPER .038"  
 INSULATION: POLYVINYLCHLORIDE, .016" NOM. WALL THICKNESS .070"  
 CABLE: (5) COLOR CODED SINGLES TWISTED TOGETHER WITH FILLER AND WRAPPED WITH A CLEAR POLYESTER BINDER TO FORM A CABLE CORE. .192"  
 SHIELD: AN OVERALL ALUMINUM POLYESTER FOIL SHIELD (FOIL IN, 100% COVERAGE) SHALL BE APPLIED OVER THE CABLE CORE AND SHALL INCLUDE A 20 AWG 7/28 STRANDED TINNED COPPER DRAIN WIRE IN CONTACT WITH THE METALIZED SURFACE. .209"  
 RIPCORD: INCLUDED UNDER JACKET FOR STRIPPING  
 JACKET: POLYVINYLCHLORIDE, CHROME GRAY, .032" NOM. WALL THICKNESS. OVER ALL CABLE DIAMETER .273"

2) PHYSICAL PROPERTIES:  
 TEMPERATURE RATING, MAX. 105° C  
 TEMPERATURE RATING, MIN. -40° C (MANUFACTURER'S RECOMMENDED)  
 WT./M', NOM., NET. 45.9 LBS.

3) ELECTRICAL CHARACTERISTICS:  
 CAPACITANCE, MUTUAL, NOM. 30 PF/FT.  
 CAPACITANCE, GROUNDED, NOM. 54 PF/FT.  
 DIELECTRIC WITHSTANDING, MIN. 2000V RMS  
 VOLTAGE RATING, MAX. 600V  
 D.C. RESISTANCE, MAX. PER ASTM B286 10.4 Ω/1000 FT

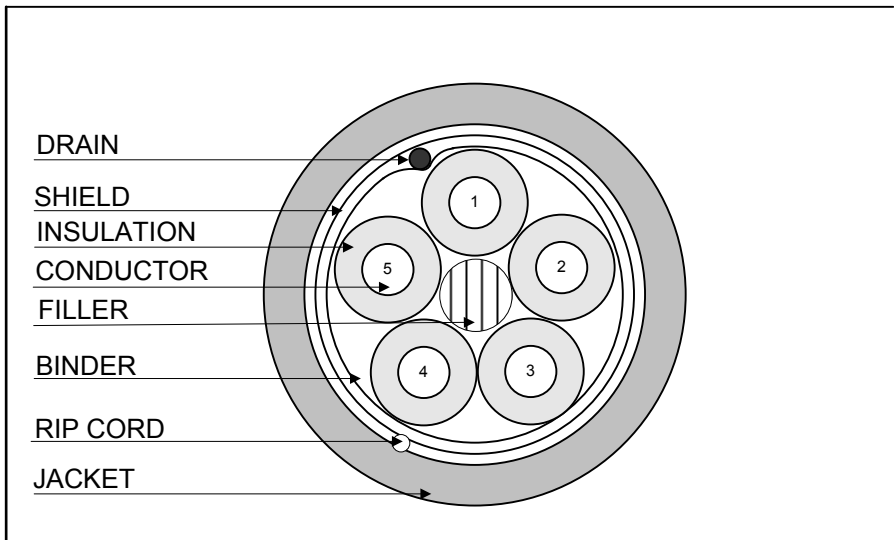
4) AGENCY APPROVALS:  
 CSA AWM FT4  
 UL AWM STYLE 2586 105C 600V

5) APPLICATION:  
 RoHS COMPLIANT MATERIALS.

6) PRINT:  
 QUABBIN 0814 **RU** AWM 2586 VW-1 -- CSA LL51726 AWM I/II A/B 105C 600V FT4 -- RoHS -- **(LOT DESIGNATOR)**

7) COLOR CODE:  
 1. BLACK  
 2. BROWN  
 3. RED  
 4. ORANGE  
 5. YELLOW

8) PACKAGING  
 TO BE PACKAGED AS PER QWC'S STANDARD PACKAGING



REVISION 02	DATE:	DRAWN <i>G. Munn</i> 08/03/10	
REVISED BY	<i>G. Munn</i> 08/05/10	CHECKED <i>J. Ruemler</i> 8/3/10	
CHECKED	<i>J. Ruemler</i> 8/5/10	CHECKED	
CHECKED		CUSTOMER APPROVAL: DATE:	TITLE
			5/C 20 AWG -- AWM 2586, CSA AWM FT4 CABLE -- SHIELDED
			QUABBIN P/N 0814 1 OF 1