


1) CONSTRUCTION: NOM. DIA.
 CONDUCTOR: 20 AWG 7/28 STRANDED TINNED COPPER .038"
 INSULATION: POLYVINYLCHLORIDE, .016" NOM. WALL THICKNESS .070"
 CABLE: (4) COLOR CODED SINGLES TWISTED TOGETHER AND WRAPPED .172"
 WITH A CLEAR POLYESTER BINDER TO FORM A CABLE CORE.
 RIPCORD: INCLUDED UNDER JACKET FOR STRIPPING
 JACKET: POLYVINYLCHLORIDE, CHROME GRAY, .032" NOM. WALL THICKNESS. .236"
 OVER ALL CABLE DIAMETER

2) PHYSICAL PROPERTIES:
 TEMPERATURE RATING, MAX. 105 DEGREES C
 WT./M', NOM., NET. 33.3 LBS.

3) ELECTRICAL CHARACTERISTICS:
 CAPACITANCE, MUTUAL, NOM. 20 PF/FT.
 DIELECTRIC WITHSTANDING, MIN 2000V RMS
 VOLTAGE RATING, MAX. 600V
 D.C. RESISTANCE, MAX. PER ASTM B286 10.4 Ω/1000'

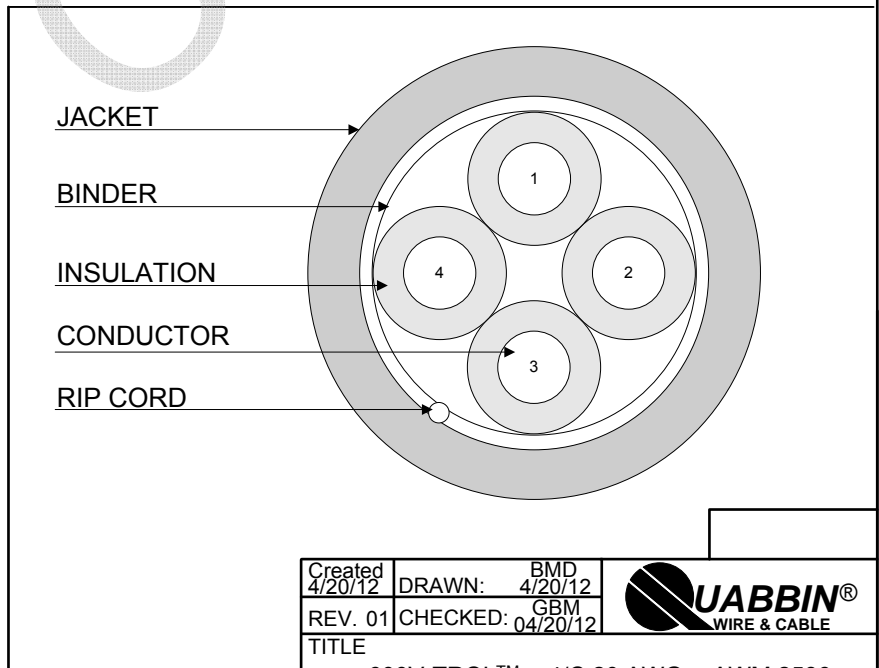
4) AGENCY APPROVALS:
 UL AWM STYLE 2586 105C 600V
 CSA AWM FT4
 MEETS VW-1 FLAME TEST


5) APPLICATION:
 INDUSTRIAL CONTROLS, MEDICAL ELECTRONICS AND OTHER APPLICATIONS WHERE A COMPACT 600V RATED CABLE IS REQUIRED. RoHS COMPLIANT MATERIALS.

6) PRINT:
 600V-TROL™ E69976  AWM 2586 VW-1 -- CSA LL51726 AWM I/II A/B 105C 600V FT4 -- RoHS -- (LOT DESIGNATOR

7) COLOR CODE:
 1. BLACK
 2. BROWN
 3. RED
 4. ORANGE

8) PACKAGING
 TO BE PACKAGED AS PER QWC'S
 STANDARD PACKAGING



Created 4/20/12	DRAWN: BMD 4/20/12	
REV. 01	CHECKED: GBM 04/20/12	
TITLE 600V-TROL™ -- 4/C 20 AWG -- AWM 2586, CSA AWM FT4 CABLE		
QUABBIN P/N	0713	1 of 1

CUSTOMER APPROVAL:

DATE: